

ULTRA-TAPS*

MODELS UT-22, UT-33, and UT-12

CONTENTS OF PACKAGE

- 1 Unit Model UT-22 (W, R, or Y), Model UT-33 (W, R, or Y), or Model UT-12
- 1 Saddle block
- 2 Ferrules (1 ferrule for UT-12)
- 2 Screws
- 1 Instruction Sheet 435-354

BASIC TAP-OFF UNIT FOR TV OR FM

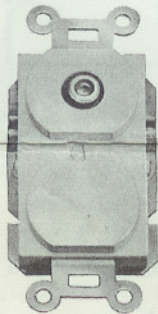


Figure 1.
Model UT-22

MODEL UT-22 (W, R or Y)

Provides a choice of three isolation and feed-thru values and is used to tap TV or FM signals from RG-59 type feeder cables. Simple crimp-on bushings and new positive-gripping clutch provide fast solder-less connections to the feeder. Model UT-22 can be flush or surface mounted. For flush-mounting the unit fits a standard 2" x 4" (or combination) wall box and new cover plates are available in a variety of types. A special housing is also available for surface mounting. Equipped with a "Gamma" receptacle, the unit accepts the new 75 or 300-ohm push-on plugs.

COMBINATION TAP-OFF UNIT FOR TV AND FM

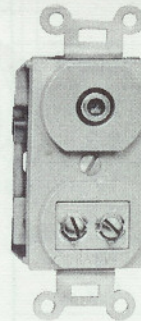


Figure 2.
Model UT-33

MODEL UT-33

Available in the same isolation and feed-thru values as Model UT-22. It has additional isolation to separate TV and FM signals for simultaneous connection of a TV receiver and an FM receiver.

The unit is flush mounted in the same manner as Model UT-22. For surface mounting a standard wire mold box is required.



Figure 3.
Model UT-12

SPECIAL WALL TERMINAL UNIT

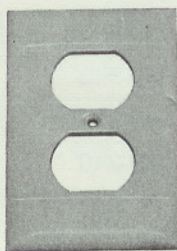
(WITHOUT ISOLATION OR FEED-THRU)

MODEL UT-12

A wall terminal unit providing connection from a remotely mounted isolation unit such as G-1404, 1401, or PT-1461. Similar to Model UT-22 in all other respects.

ACCESSORIES (NOT SHIPPED WITH UNITS)

FLUSH COVER PLATES

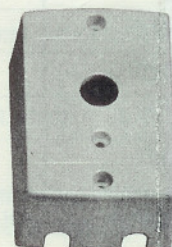


MODEL UT-PI
Single outlet ivory cover plate, sturdy molded plastic.

MODEL UT-PS
Single outlet cover plate, brushed stainless steel.

Note: Other finishes, and multiple-ganged cover plates are available on special order.

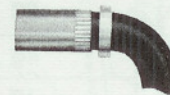
SURFACE HOUSING



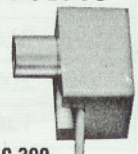
MODEL UT-SH
Single outlet ivory surface mounting box, sturdy molded plastic.

(Not for use with UT-33)

NEW PUSH-ON "GAMMA" PLUGS



MODEL G-59
Male plug—For use where it is desirable to run RG-59 type cable to the TV/FM receiver. Features a built-on ferrule.†



MODEL G-300
A 75 to 300 ohm adapter plug for connecting 300 ohm lead from receiver directly to Ultra-tap outlet.

†Pat. Pending

INSTALLATION—

UT-22, UT-33, UT-12 (FLUSH MOUNT)

1. Choose proper isolation value W, R, or Y for either Model UT-22 or UT-33. (Model UT-12 has no isolation unit.) Refer to ISOLATION AND FEED-THRU CHART or to DISTANCE CHART to aid in selection of proper tap color.

ISOLATION AND FEED-THRU CHART

A—Isolation B—Feed-Thru
Values in db

Ch.	MODELS UT-22 AND UT-33 COLOR CODE			
		White	Red	Yellow
2	A	35	27	22.5
	B	0.2	0.4	0.2
6	A	34	25	19
	B	0.2	0.4	0.3
7	A	31	21	13
	B	0.25	0.5	0.9
13	A	30	20	11.5
	B	0.25	0.5	1.0

2. Cut off cable ends in conduit box to shortest convenient working length. Avoid excess cable since it may crowd the outlet box.
3. Refer to Fig. 4 for cable preparation and installation on bushing. Slip ferrule(s) over cable end(s), making sure they do not slip back into conduit or outside of box. Trim off

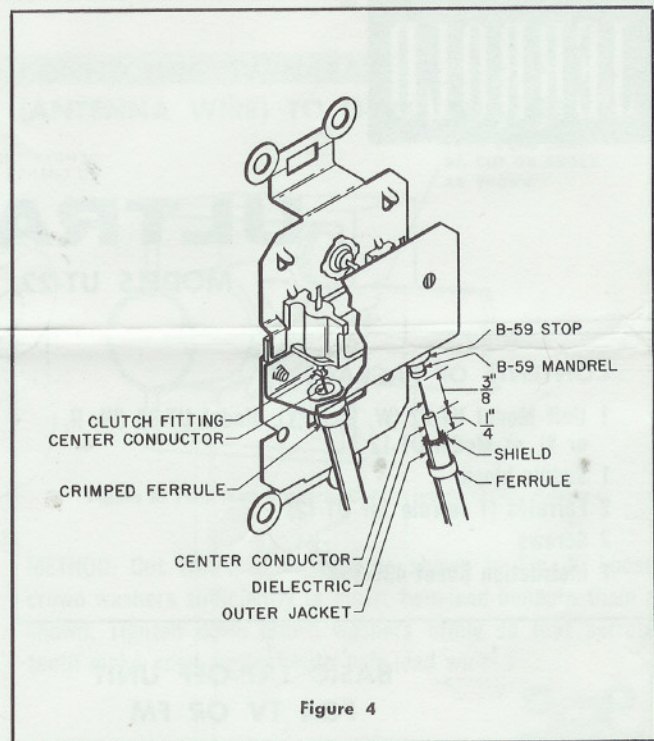


Figure 4

$\frac{5}{8}$ " of cable's outer jacket without nicking shield braid. Fan back shield over outer jacket and trim off close to jacket with scissors or diagonal cutters. Trim off $\frac{3}{8}$ " of cable dielectric (center insulation). Make sure insulation is cleaned from center conductor but do not scrape wire any more than necessary. Inspect wire for burrs. Dress, if necessary, with diagonal cutters.

DISTANCE CHART

SIGNAL LEVEL AT START OF RG-59/U FEEDER		MODELS UT-22 AND UT-33		
MV	DBJ	White	Red	Yellow
2,000,000	66	0-450'	450-580'	580-640'
1,000,000	60	0-380'	380-510'	510-570'
500,000	54	0-310'	310-440'	440-500'
316,000	50	0-250'	250-380'	380-440'
200,000	46	0-200'	200-330'	330-390'
140,000	43	0-150'	150-280'	280-340'
100,000	40	0-120'	120-250'	250-310'
50,000	34	0-50'	50-180'	180-240'

Notes: Based on 10' separation between UT taps and a minimum of 0 dbj at the set. 0 dbj = 1,000 microvolts across 75 ohms.
Max. = thirty-five UT taps per feeder.
Spacings greater than 10' between taps may increase maximum feeder length greatly.

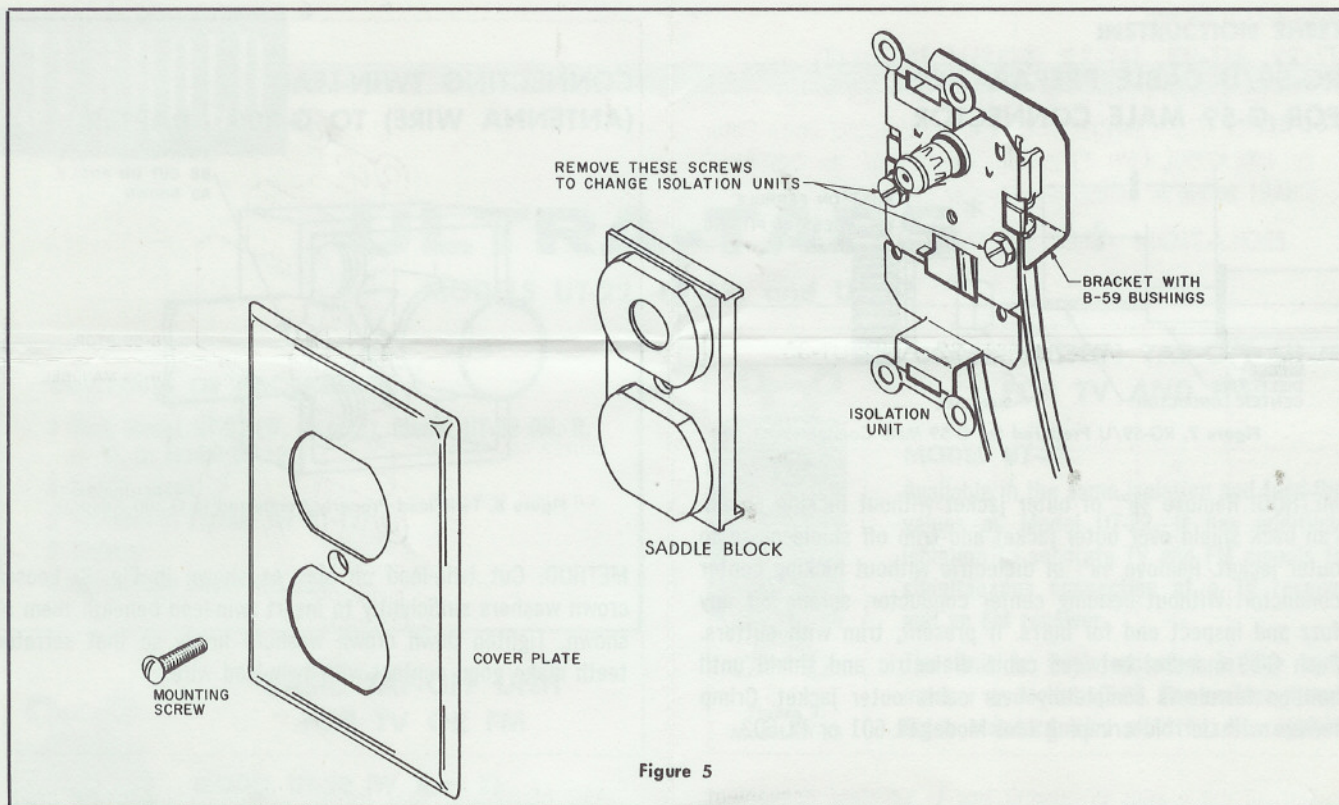


Figure 5

4. Insert cable dielectric into the mandrel of the bushing and push mandrel between the cable shield and dielectric as far as it will go. Inspect to see that center conductor has been fully engaged by clutch fitting. Bring ferrule over the exposed shield, outer jacket, and mandrel. Crimp tightly with Jerrold crimping tool Model PL-601 or PL-602.
5. Place entire unit in position in outlet box and fasten into place with mounting screws provided.
6. Place saddle block over isolation unit and place flush mounting plate over saddle. See Fig. 5. Then fasten both into position with mounting screw provided.

INSTALLATION— UT-22, UT-12 (SURFACE MOUNT)

1. Break off metal work on either unit at points indicated in Fig. 6.
2. Prepare cable(s) and install on bushing as in steps 2, 3, and 4 of INSTALLATION (FLUSH MOUNT).
3. Place unit in surface housing Model UT-SH and secure in place with mounting screw provided. Then fasten housing into position with mounting screws provided.

INSTALLATION— UT-33 (SURFACE MOUNT)

1. A standard wire mold box is required to surface-mount Model UT-33. Follow steps 2 thru 6 of INSTALLATION (FLUSH MOUNT).

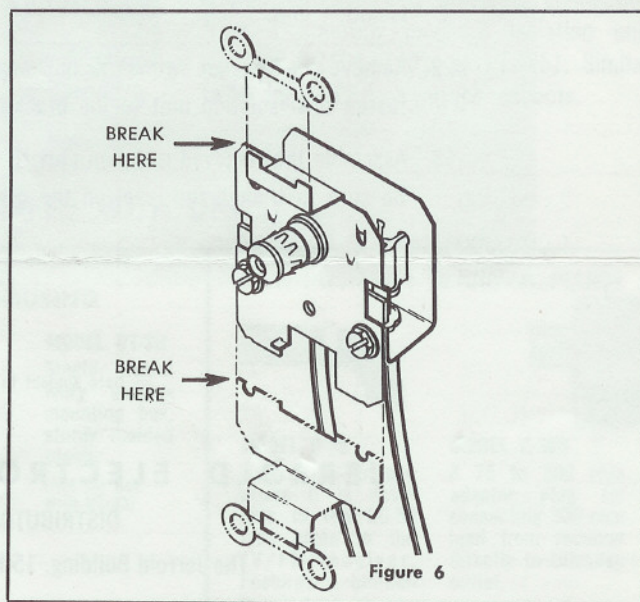


Figure 6

RG-59/U CABLE PREPARATION FOR G-59 MALE CONNECTOR

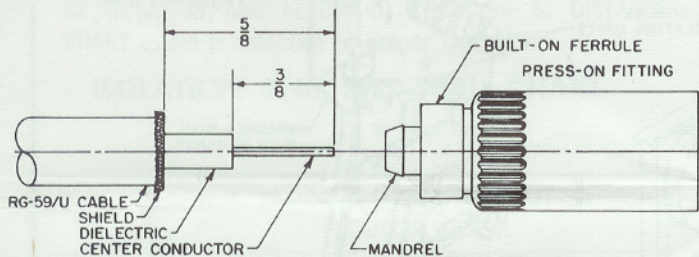


Figure 7. RG-59/U Prepared for G-59 Male Connector

METHOD: Remove $\frac{5}{8}$ " of outer jacket without nicking shield. Fan back shield over outer jacket and trim off shield close to outer jacket. Remove $\frac{3}{8}$ " of dielectric without nicking center conductor. Without bending center conductor, scrape off any fuzz and inspect end for burrs. If present, trim with cutters. Push G-59 mandrel between cable dielectric and shield until built-on ferrule is completely over cable outer jacket. Crimp ferrule with Jerrold crimping tool Model PL-601 or PL-602.

CONNECTING TWIN-LEAD (ANTENNA WIRE) TO G-300 ADAPTER

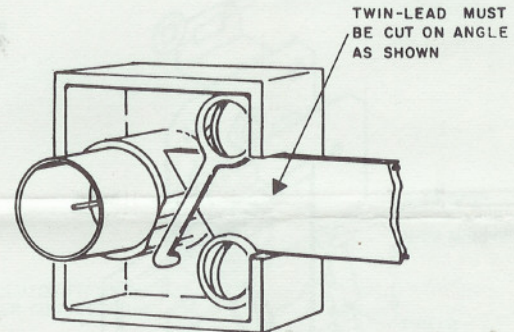


Figure 8. Twin-lead Properly Connected to G-300 Adapter

METHOD: Cut twin-lead on bias as shown in Fig. 8. Loosen crown washers sufficiently to insert twin-lead beneath them as shown. Tighten down crown washers firmly so that serrated teeth make good contact with twin-lead wire.

CHANGING ISOLATION UNITS (FLUSH OR SURFACE MOUNTED TAP)

1. Remove cover plate and saddle block or surface housing from unit and pull entire unit out of outlet box. Do **not** disconnect cables. Remove two screws (see Fig. 5) and remove isolation unit.
2. Remove the bracket with B-59 bushings from an isolation unit of the proper color and fasten this isolation unit to the bracket in the outlet box. Reassemble and replace unit.
3. Assemble the removed isolation unit to the bracket of the replacement and return to box. Be sure to change the label on the box to indicate the proper color coding for the tap.

Data Subject to Change Without Notice

JERROLD ELECTRONICS CORPORATION

DISTRIBUTOR SALES DIVISION

The Jerrold Building, 15th & Lehigh, Philadelphia 32, Pa.